


Yamataha ThermJet Burners

Model TJ0300

Data sheet Edition 1.15

Version 2

Parameter	Burner Velocity		Model TJ0300
Maximum Input, Btu/h (kW)¹	Medium & High Velocity		3,000,000 (791)
Minimum Input, Btu/h (kW)¹ <i>For lower inputs, contact Yamataha, Inc.</i>	Medium & High Velocity		300,000 (79)
Minimum Input Fixed Air, Btu/h (kW)¹	Medium & High Velocity		60,000 (16)
Main Gas Inlet Pressure, "w.c. (mbar) <i>Fuel pressure at gas inlet Tap B (see page 3)</i>	High Velocity	Natural Gas	12.5 (31.0)
		Propane	12.7 (32.0)
		Butane	12.2 (30.0)
	Medium Velocity	Natural Gas	6.0 (15.0)
		Propane	6.8 (17.0)
		Butane	6.0 (15.0)
Air Inlet Pressure, "w.c. (mbar) <i>15% excess air at maximum input Tap A (see page 3)</i>	High Velocity	Natural Gas	15.0 (38.0)
		Propane	15.0 (38.0)
		Butane	15.0 (38.0)
	Medium Velocity	Natural Gas	8.5 (21.0)
		Propane	8.5 (21.0)
		Butane	8.5 (21.0)
High Fire Visible Flame Length, inches (mm) <i>Measured from the outlet end of the combustor</i>	High Velocity	Natural Gas	50 (1270)
		Propane	55 (1400)
		Butane	55 (1400)
	Medium Velocity	Natural Gas	64 (1630)
		Propane	66 (1675)
		Butane	68 (1730)
Approximate Flame Velocity, ft/s (m/s) <i>Approximately 15% excess air at maximum input</i>	High Velocity		550 (168)
	Medium Velocity		300 (91)
Maximum Combustion Air Temperature	300°F (149°C). For higher temperatures use TJPCA (Datasheet 206)		
Flame Detection	UV scanners can be used with all combustors.		
Fuels² <i>For any other mixed gas, contact Yamataha, Inc.</i>	Natural gas, Propane or Butane		
Approvals			

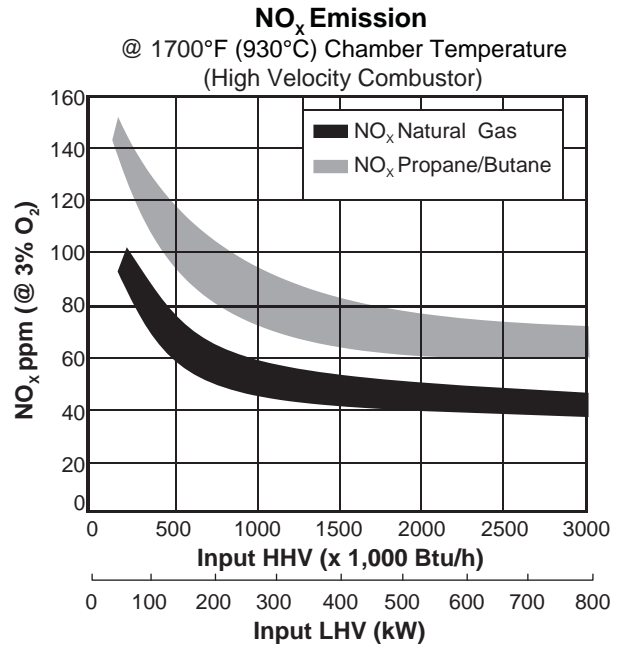
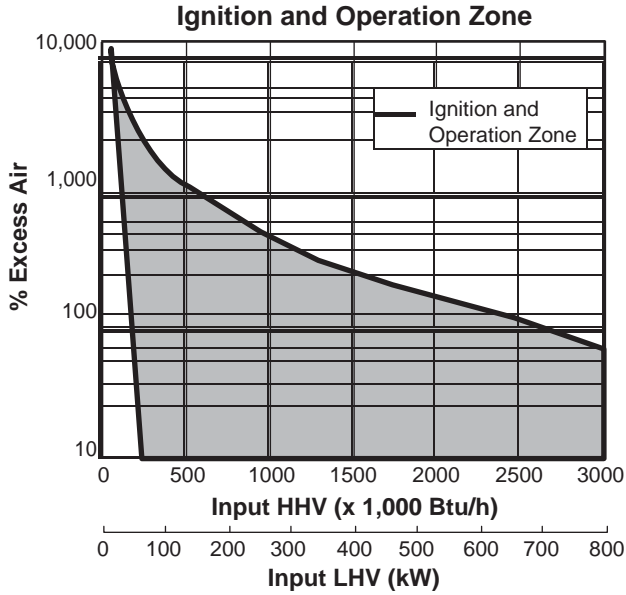
1. All imperial inputs based upon gross calorific values (HHV). All metric inputs based upon net calorific values (LHV).

2. See Design Guide 205 for more information about typical fuel composition and properties.

- All information is based on laboratory testing in neutral (0 "w.c., 0 mbar) pressure chamber. Different chamber conditions may affect the data.
- All information is based on standard combustor design. Changes in combustor will alter performance and pressures.
- All inputs based upon standard conditions; 1 atmosphere, 70°F (21°C).
- Yamataha reserves the right to change the construction and/or configuration of our products at any time without being obliged to adjust earlier supplies accordingly.
- Plumbing of air and gas will affect accuracy of orifice readings. All information is based on generally acceptable air and gas piping practices.

Yamataha

Performance Graphs

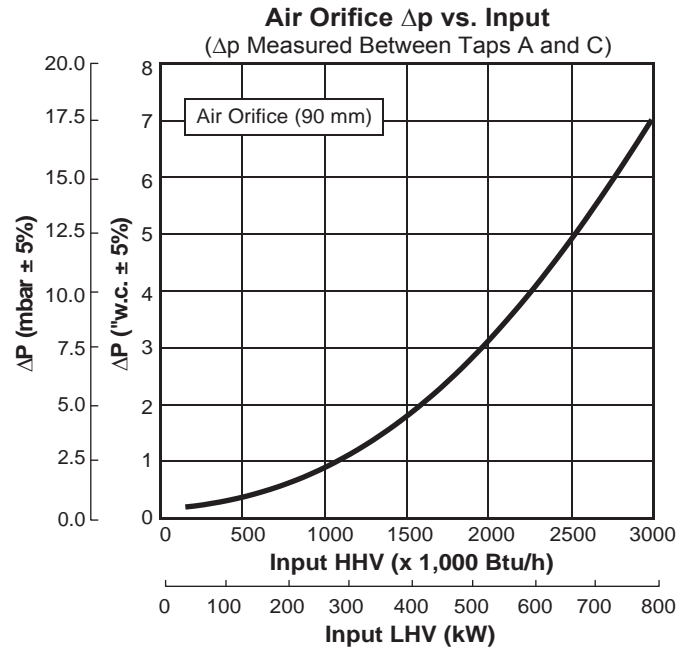
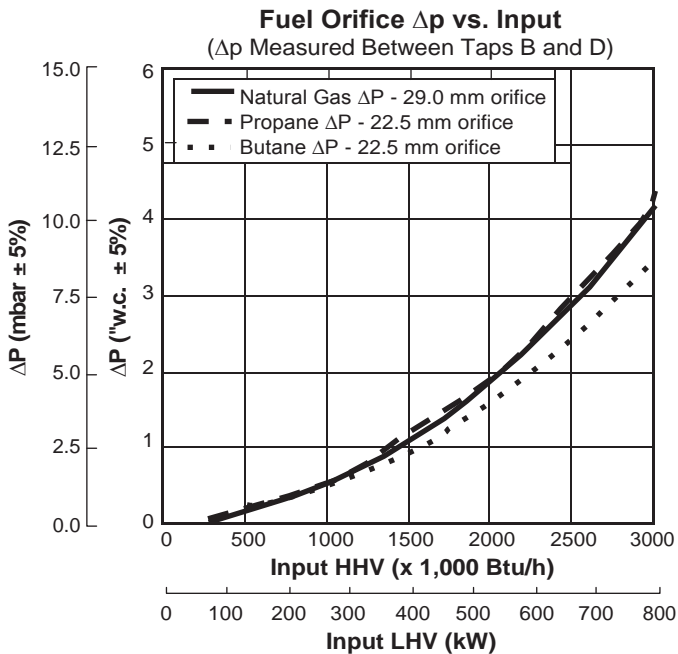


Emissions correction factor for medium velocity combustor is 1.20. Emissions data based on, on-ratio control firing at 15% excess air corrected to 3% O₂.

Emissions from the burner are influenced by:

- Fuel type
- Combustion air temperature
- Firing rate
- Chamber conditions
- Percent of excess air

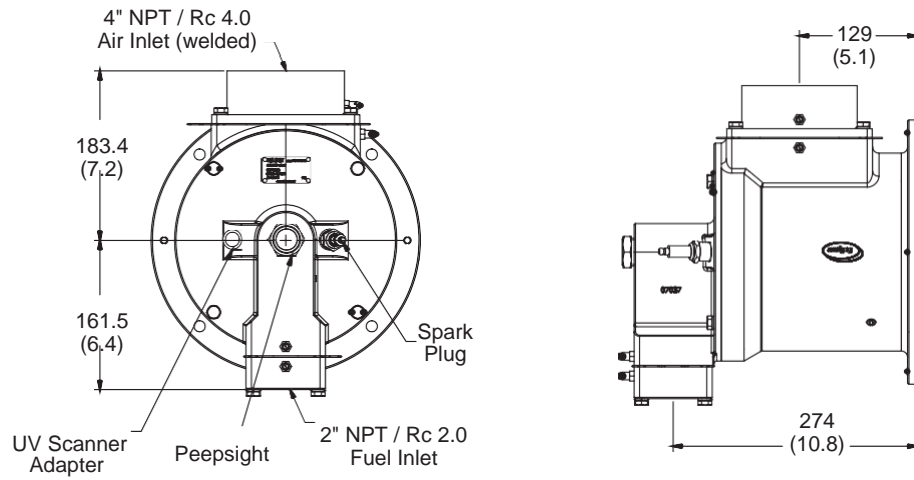
For estimates of other emissions, contact Yamataha.



Dimensions and Specifications

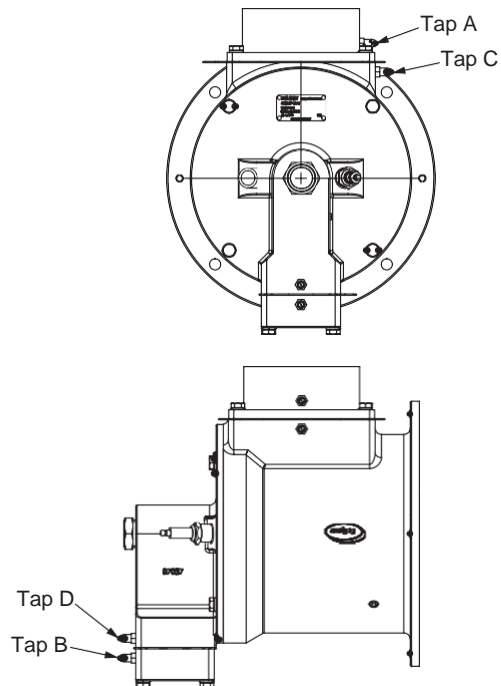
Dimensions in mm (inches)

Burner Housing



Burner weight less combustor: 89 lbs (40 kg)

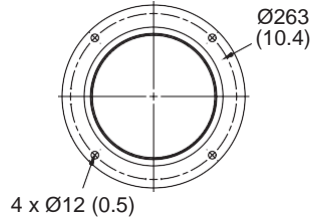
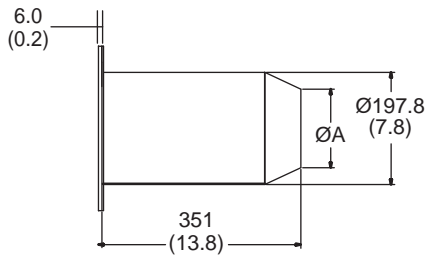
Tap Locations



Dimensions and Specifications

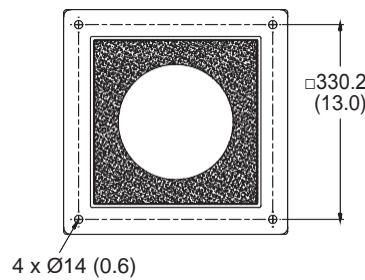
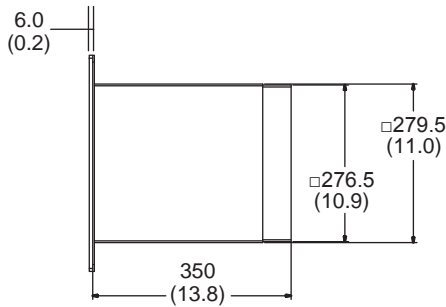
Dimensions in mm (inches)

Combustors



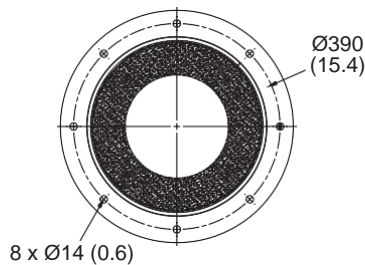
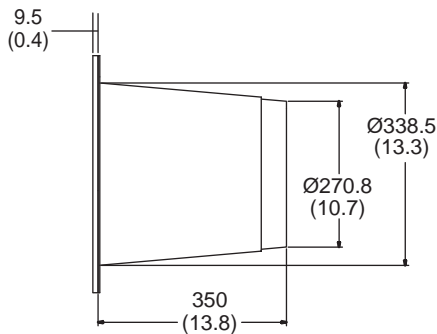
Alloy Combustor (AISI 310)

Weight: 13.5 lbs (6 kg)
Maximum Chamber Temp: 1,750°F (950°C)



Refractory Combustor with AISI 330 wrapper

Weight: 131.4 lbs (60 kg)
Maximum Chamber Temp: 2,800°F (1,538°C)



Down Firing Block with AISI 330 wrapper

Weight: 135 lbs (61.2 kg)
Maximum Chamber Temp: 2,800°F (1,538°C)

NOTE: Mounting gasket shown on right side of combustor flange.
Dimensions shown do not account for mounting gasket.

Dimension	High Velocity	Medium Velocity
ØA	Ø103.4 (4.1)	Ø138.5 (5.5)