



บริษัท เอดีดี เฟอร์เนส จำกัด

ADD FURNACE CO.,LTD.

44 ซอยบรมราชชนนี 70 ถนนบรมราชชนนี แขวงศาลาธรรมสพน์ เขตทวีวัฒนา กรุงเทพฯ 10170

โทร: 02-888-3472 โทร: ออกแบบ:08-08-170-170 แฟกซ์: 02-888-3258

<https://www.add-furnace.com> E-mail: sales@add-furnace.com

Technical Data servo motor 662R5001/003/5009 ... 1,2 Nm/3 Nm/9Nm

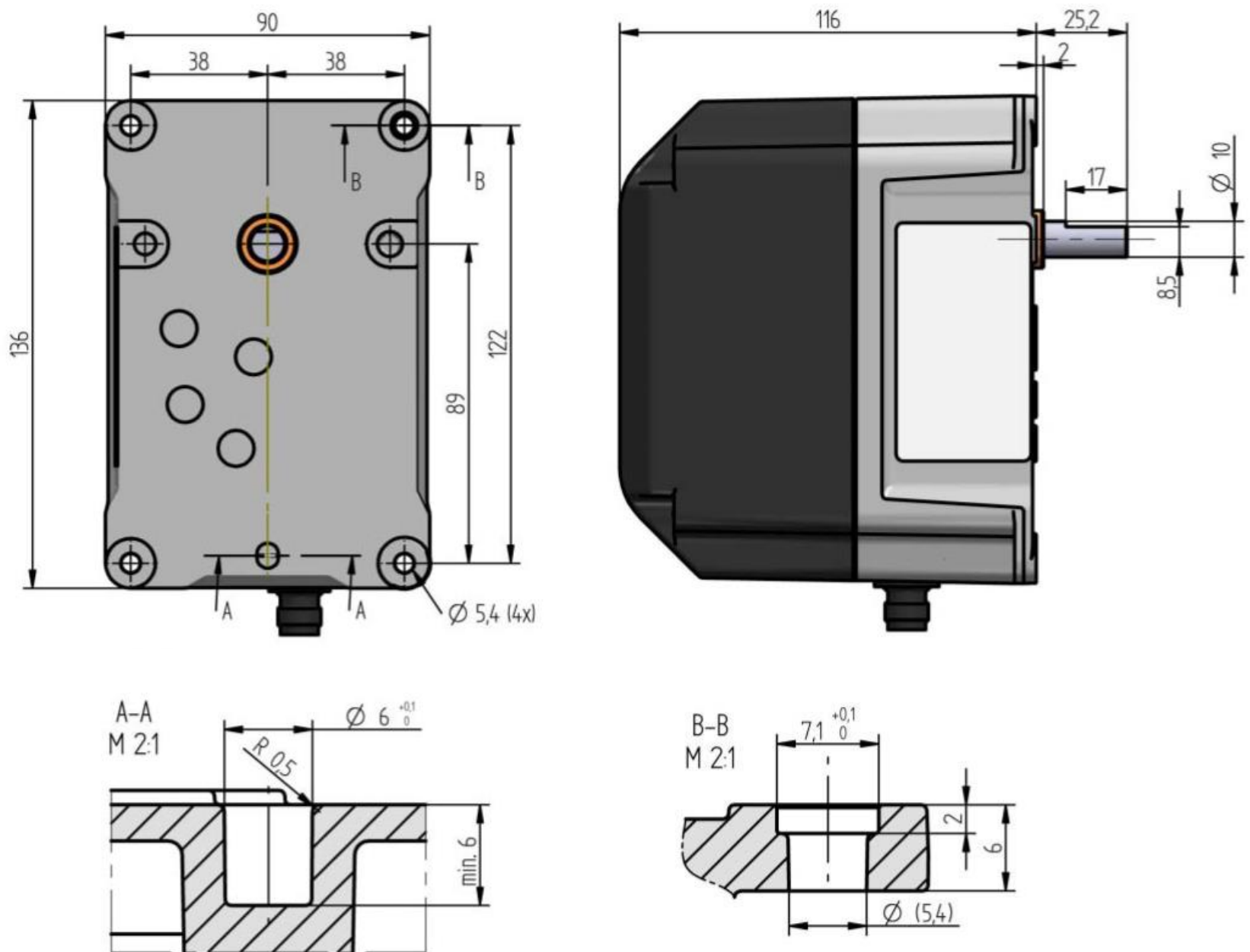


Fig. 1-1 Dimensional drawing of motor type 662R5001-0 and 662R5003-0 without cable but with plug



บริษัท เอดีดี เฟอร์เนส จำกัด

ADD FURNACE CO.,LTD.

44 ซอยบรมราชชนนี 70 ถนนบรมราชชนนี แขวงศาลาธรรมสพน์ เขตทวีวัฒนา กรุงเทพฯ 10170

โทร: 02-888-3472 โทร: ออกแบบ:08-08-170-170 แฟกซ์: 02-888-3258

https://www.add-furnace.com E-mail: sales@add-furnace.com

Technical Data servo motor 662R5001/003/5009 ... 1,2 Nm/3 Nm/9Nm

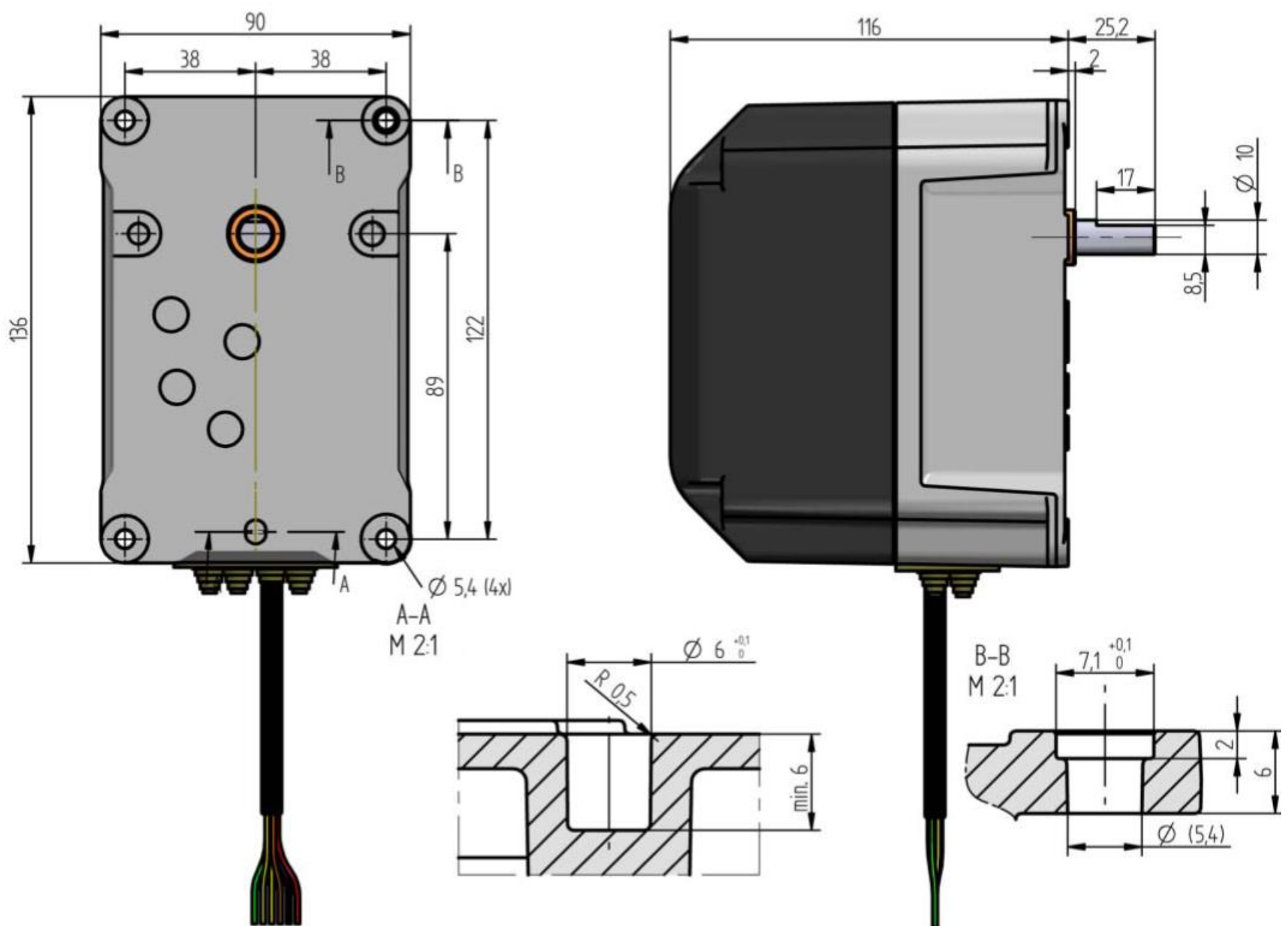


Fig. 1-2 Dimensional drawing of motor type 0R5001-1 and type 662R5003-1 with cable

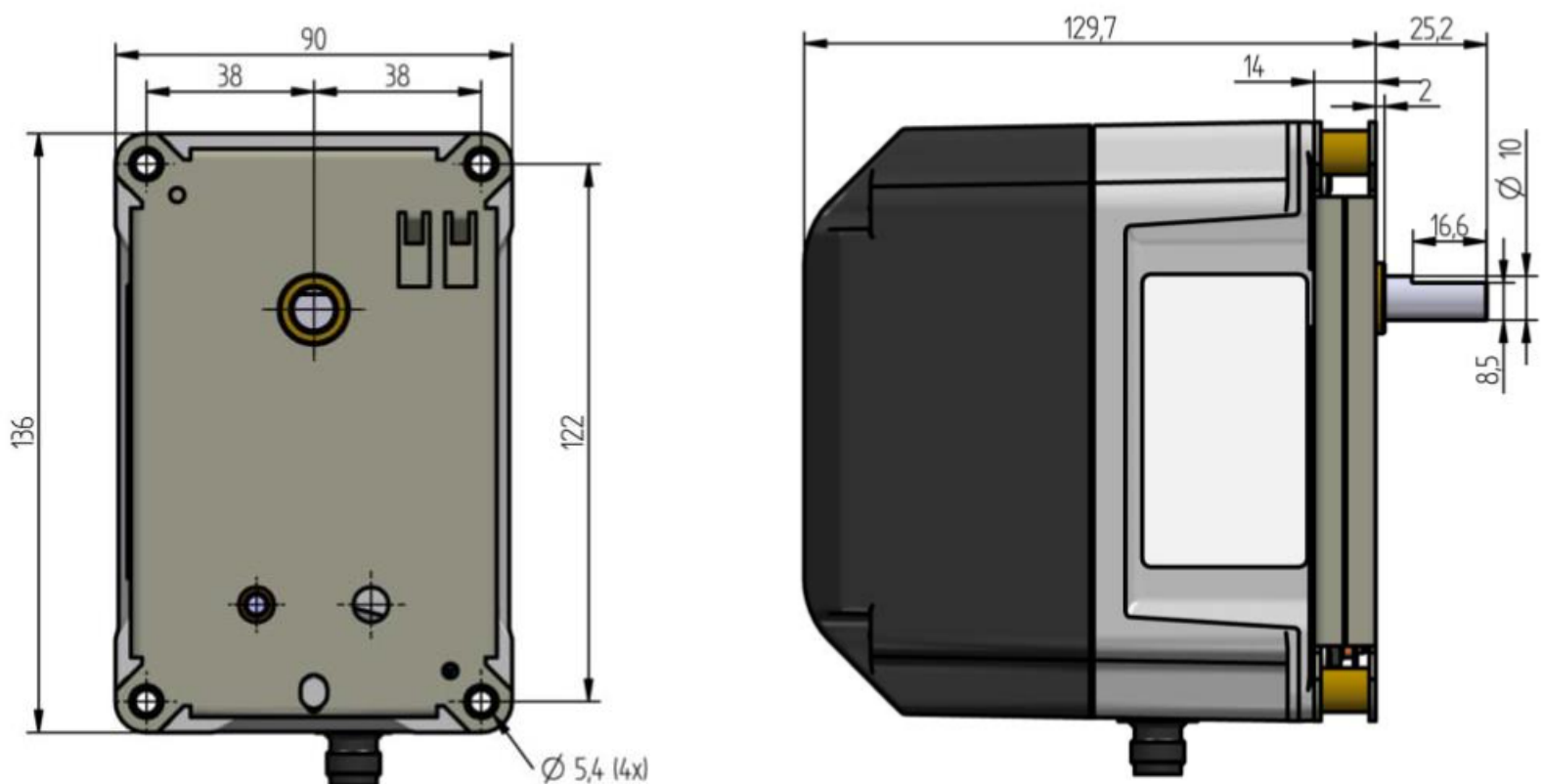


Fig. 1-3 Dimensional drawing of motor type 660R5009-0 without cable but with plug

**Technical Data servo motor 662R5001/003/5009 ... 1,2 Nm/3 Nm/9Nm**

Function	662R5001...	662R5003...	662R5009...
Power supply	24VDC \pm 20%		
Floating time	5 s/90°	5 s/90°	15 s/90°
Direction of rotation 0° to 90°	left - view to the drive shaft		
Effective output torque	1.2 Nm (both directions of rotation)	3 Nm (both directions of rotation)	9 Nm (both directions of rotation)
Holding torque	0.82 Nm (currentless)	2.8 Nm (currentless)	6 Nm (currentless)
Permissible radial load	100 N (centre of output shaft)		
Permissible axial load	10 N		
Axial play of drive shaft	0.1 ... 0.2 mm	0.1 ... 0.2 mm	
Motor	RDM 51/6 stepper motor		
Angular resolution	0.1°/motor step	0.1°/motor step	0.03°/motor step
Rated resolution encoder monitoring	0,7°		
Monitoring accuracy	\pm 0,5°	\pm 0,5°	\pm 1.3125° (corresponds 44 motor steps)
Repeat accuracy	\pm 0,1°	\pm 0,1°	\pm 0,1°
Life cycle	2,000,000 motions forward and back performed on complete actuator range		
Degree of protection	IP54 according to DIN EN 60529-1		
Weight	1400 g		
Cable length	securely connected 1.5m pluggable max. 3 m	securely connected 1.5m pluggable max. 3 m	pluggable max. 3 m

Environmental conditions 662R5001.../662R5003.../662R5009...

Operation	Climatic condition Class 3K5 according to DIN EN 60721-3
	Mechanical condition Class 3M5 according to DIN EN 60721-3
	Temperature range -20 ... +60 °C (condensation is prohibited)
Transport	Climatic condition Class 2K3 according to DIN EN 60721-3
	Mechanical condition Class 2M2 according to DIN EN 60721-3
	Temperature range -20 ... +70 °C (condensation is prohibited)
Storage	Climatic condition Class 1K3 according to DIN EN 60721-3
	Mechanical condition Class 1M2 according to DIN EN 60721-3
	Temperature range -20 ... +70 °C (condensation is prohibited)
Bursting strength	Peak voltage 4 kV
	Repeat frequency 2,5 kHz
Electrical safety	Protection class 2 as per DIN EN 60730

NOTICE**Damage of the actuator with 1.2, 3.0 and 9.0 Nm due to opening the actuators housing.**Opening the actuator's housing will damage the actuator .
The warranty expires.**NOTICE**

The limits of the technical data must be strictly adhered to.



บริษัท เอดีดี เฟอร์เนส จำกัด

ADD FURNACE CO.,LTD.

44 ซอยบรมราชชนนี 70 ถนนบรมราชชนนี แขวงศาลาธรรมสพน์ เขตทวีวัฒนา กรุงเทพฯ 10170

โทร: 02-888-3472 โทร: ออกแบบ:08-08-170-170 แฟกซ์: 02-888-3258

<https://www.add-furnace.com> E-mail: sales@add-furnace.com

Technical Data servo motor 662R5001/003/5009 ... 1,2 Nm/3 Nm/9Nm

Order Information

Description / Type	Order-no.
Electronic servomotor 1,2 Nm, class of protection IP54, angel of rotation 90°, resolution 0,1°/ step, metal transmission, with connecting plug, without connecting cable, rotation anti-clockwise	662R5001-0
Electronic servomotor 3 Nm, class of protection IP54, angel of rotation 90°, resolution 0,1°/ step, metal transmission, with connecting plug, without connecting cable, rotation anti-clockwise	662R5003-0
Electronic servomotor 9 Nm, class of protection IP54, angel of rotation 90°, resolution 0,1°/ step, metal transmission, with connecting plug, without connecting cable, rotation anti-clockwise, incl. spring pre-load	662R5009-0
Connecting cable for servomotor 662R5001-0, 662R5003-0, 662R5009-0, available in the following length: 150 cm (59.06" in), 300 cm (118.11" in) (please indicate the length with the order)	662R5591

