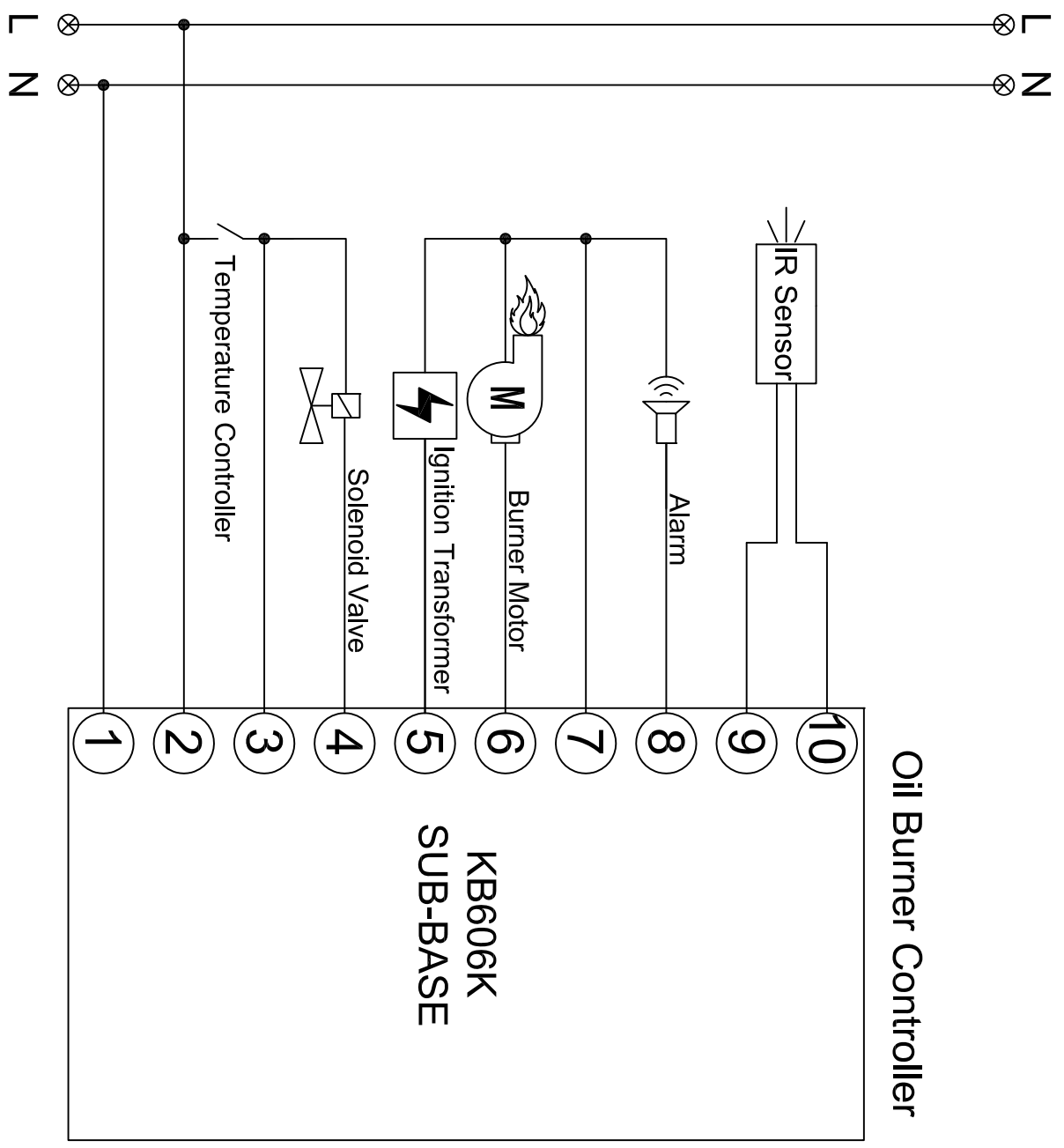


RevNo	Revision note	Date	Signature	Checked
-------	---------------	------	-----------	---------



Oil Burner Controller

KB606K
SUB-BASE

Itemref	Quantity	Title/Name, designation, material, dimension etc			Article No./Reference
Designed by	Checked by	Approved by - date	File name	TITLE	
XXX	XXX	XXX - 18/10/21	xxx	KB606K-OIL-BURNER-CONTROLLER	

บริษัท เอดิตี เฟอร์เนซ จำกัด
ADD FURNACE CO.,LTD.
https://www.add-furnace.com sales@add-furnace.com
Tel:02-888-3472 Fax:02-888-3258

Scale(A4)	Edition	Sheet	View(Thru)
1x	0	1/1	

SERVED THE RIGHT OF THIS DRAWING BY ADD FURNACE CO.,LTD.
DO NOT COPY OR REPEAT THIS DRAWING BEFORE GETTING CONSENT FROM COMPANY