



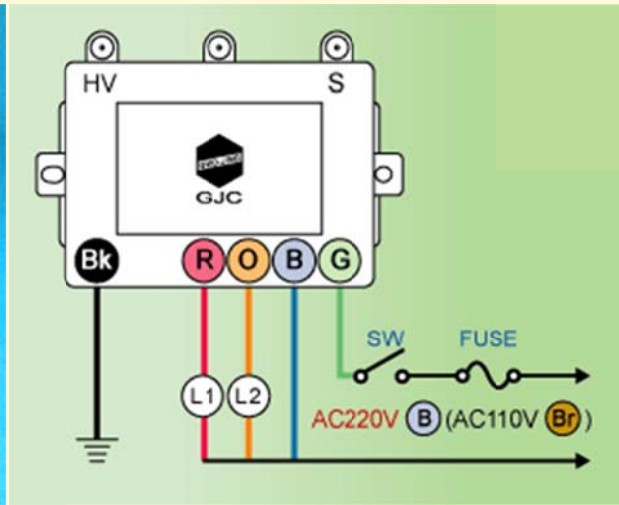
บริษัท เอบีบี เฟอร์เนส จำกัด ABB FURNACE CO.,LTD.

129/15, ม.17 ถนนพุทธมณฑลสาย 2 ซอย 36 เขต ทวีวัฒนา แขวง ศาลาธรรมสพ กทม. 10170.

Mobile:08-08-170-170 Tel:02-885-2558 Fax:02-885-2558

http://www.abb-furnace.com E-mail:sales@abb-furnace.com

GAS IGNITER type:GJ-202C (GJ-201) IGNITER



IGNITER SIZE

- Length: 98mm
- Width: 68mm
- Height: 39mm
- Weight: 300 grams

WIRES DIRECTION

1. HV: High voltage output wire for igniting. (Bigger 5mm red wire)
2. S: Flame sensor wire. (Bigger 5mm black wire)
3. Green: Power input wire. (controlled by power switch)
4. Blue: Power input wire (common line) [Brown: Power input wire. AC-110V(common line)]
5. Orange / Blue [Brown]: L1 Igniting Pilot Light
6. Red / Blue [Brown]: L2 Burning Pilot Light
7. Black: Earth wire

SPECIFICATION AND FEATURE

1. Input voltage: AC-220V~240V, 50/60Hz. [AC-110V~120V, 50~60HZ.]
2. Output high voltage for igniting: 16~18KV.
3. The igniting action will be stopped accordingly while the Main Fire is burning.
4. The igniting action will start again automatically if the Main Fire is extinguished.
5. The Igniting Pilot Light should be on while igniting and should be off after the gas is burning, thus the Burning Pilot Light turns on.

FITTING GUID

1. The High voltage wire for igniting and the Flame sensor wire must be connected with the Igniting Rod and the Flame Sensor Rod.
2. Both the high voltage wire and Flame sensor wire should keep clean and dry to prevent from poor



บริษัท เอบีบี เฟอร์เนส จำกัด
ABB FURNACE CO., LTD.

129/15, ม.17 ถนนพุทธมณฑลสาย 2 ซอย 36 เขต ทวีวัฒนา แขวง ศาลาธรรมสพ กทม. 10170.

Mobile:08-08-170-170 Tel:02-885-2558 Fax:02-885-2558

<http://www.abb-furnace.com> E-mail: sales@abb-furnace.com

insulation or ELECTRICAL leakage.

3. Both the Igniting Rod and Flame sensor wire should keep clean and dry to prevent from poor insulation or ELECTRICAL leakage.
4. Both the Igniting Rod and Flame Sensor Rod are prohibited to ignite themselves same time, or should spoil the circuit of sensor system.
5. The Flame Sensor Rod and flame must have proper match to assure of a perfect burning, so the flame if waved, floated or unsteady is not allowed.
6. The earth wire of the Igniter must have good access direct to the ground.
7. The heated temperature of high voltage igniting wire is not allowed more than 100 degree Celsius. (The maximum temperature for the wire material is 160 degree Celsius.)
8. The ambient temperature for fitting the Igniter should be less than 50 degree Celsius. The best distance between the igniting rod and the nozzle of Gas Burner is 3.5~5mm.
9. The Igniter is available for the small fire Gas Burner with LPG or city gas. The Gas Burner must have a Blower to blast air mixed with gas.