



บริษัท เอดีดี เฟอร์เนส จำกัด

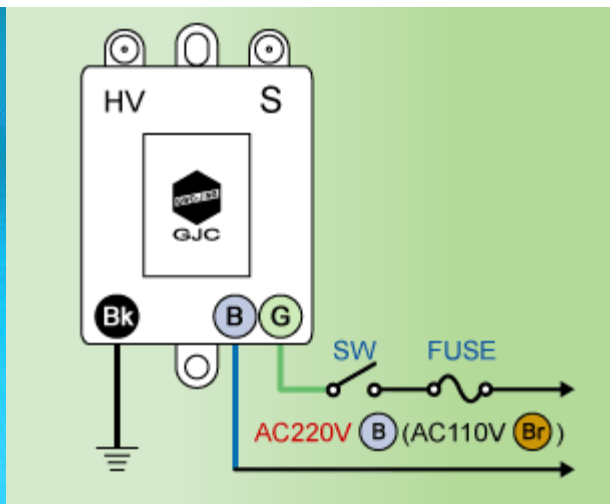
ADD FURNACE CO.,LTD.

44 ซอยบรมราชชนนี 70 ถนนบรมราชชนนี แขวงศาลาธรรมสพน์ เขตทวีวัฒนา กรุงเทพฯ 10170

โทร: 02-888-3472 โทร: ออกแบบ:08-08-170-170 แฟกซ์: 02-888-3258

https://www.add-furnace.com E-mail: sales@add-furnace.com

## SERIES ONE: GJ-102 (GJ-101) IGNITER



### IGNITER SIZE

- Length: 79mm
- Width: 50mm
- Height: 35mm
- Weight: 130 grams

### WIRES DIRECTION

1. HV: High voltage output wire for igniting.(Bigger 5mm red wire)
2. Green: Power input wire. (controlled by power switch)
3. Blue: Power input wire (common line) [Brown: Power input wire. AC-110V(common line)]
4. Black: Earth wire

### SPECIFICATION AND FEATURE

1. Input voltage: AC-220V~240V, 50/60Hz. [AC-110V~120V, 50~60HZ.]
2. HV of igniting output: 16~18KV.
3. This is a manual, simple igniter for various kinds of Gas Burners. Please make sure to use a Toggle Switch and control each igniting time not more than 30 seconds to ensure its
4. The blue wire should be the common line while some Igniters are paralleled used together

### FITTING GUIDE

1. The high voltage wire for igniting must be surely connected with a high voltage Igniting
2. Both the high voltage wire and rod should keep clean and dry to prevent from poor insulation
3. The earth wire of the Igniter must have good access direct to the ground
4. The heated temperature of high voltage igniting wire is not allowed more than 100 degree Celsius. (The maximum temperature for the wire material is 160 degree Celsius)
5. The ambient temperature for fitting the Igniter should be less than 50 degree Celsius. The best distance between the igniting rod and the nozzle of Gas Burner is 3.5~5mm.
6. The GJ-102 is available for the small fire Gas Burner with LPG or city gas. The Gas Burner with LPG or city gas. The Gas Burner must have a Blower to blast air mixed with gas.